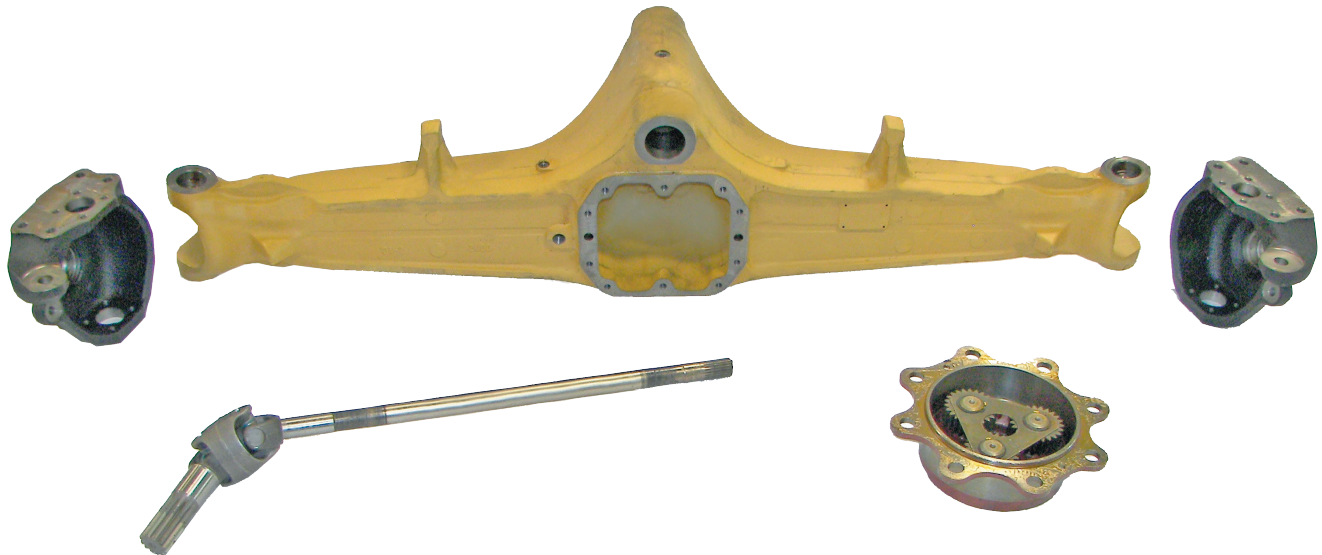




4-Wheel Drive Front Axle Parts Case / Carraro Applications



Toll Free USA & Canada: 800-321-9983
Email: sales2@joseph.com
Website: www.joseph.com
Fax: 330-342-3895

All manufacturers' names, numbers, symbols and descriptions are used for reference purpose only, and it is not implied that any part listed is the product of the manufacturer. Copyright 2008, Joseph Industries, Inc.



4-WHEEL DRIVE FRONT AXLE PARTS

CASE/CARRARO APPLICATIONS

TABLE OF CONTENTS

PART NUMBER	DESCRIPTION	PAGE
321204.....	NIPPLE, LUBE.....	1, 2
350669.....	TIE ROD.....	7, 8
40822.....	SNAP RING.....	3
85805986.....	NUT.....	1, 2
85824343.....	SEAL.....	1, 2
100520A1.....	BUSHING, SPHERICAL.....	1, 2
100522A1.....	BUSHING.....	1, 2
100529A1.....	SEAL, SHAFT.....	1, 2
100532A1.....	BUSHING.....	1, 2
100533A1.....	BOLT.....	1, 2
100550A1.....	WASHER.....	5, 6
100552A1.....	O-RING.....	5, 6
100553A1.....	HOUSING ASSY.....	5, 6
100554A1.....	PINION CARRIER.....	5, 6
100555A1.....	PLATE, LARGE.....	5, 6
100556A1.....	STUD.....	5, 6
100557A1.....	DRAIN PLUG.....	5, 6
100559A1.....	RING, SPECIAL.....	5, 6
100561A1.....	GEAR.....	5, 6
100562A1.....	PLANETARY GEAR.....	5, 6
100565A1.....	WASHER, THRUST.....	5, 6
109686A1.....	HOUSING ASSEMBLY.....	9
112486A1.....	BOLT, HEX.....	9
112509A1.....	BALL JOINT.....	7, 8
114295A1.....	KIT, NEEDLE BEARINGS.....	5, 6
116425A1.....	SCREW.....	5, 6
116426A1.....	BUSHING.....	5, 6
116427A1.....	GEAR.....	5, 6
122264A1.....	KING PIN, LARGE.....	1, 2
122265A1.....	KING PIN, LARGE.....	1, 2
122268A1.....	WASHER.....	1, 2
122270A1.....	WASHER.....	1, 2
128570A1.....	FLANGE.....	4
136990A1.....	SPACER.....	1, 2

Toll Free USA & Canada: 800-321-9983 Fax: 330-342-3895 www.joseph.com

All manufacturers' names, numbers, symbols and descriptions are used for reference purpose only,
and it is not implied that any part listed is the product of the manufacturer.

Copyright 2008, Joseph Industries, Inc.



4-WHEEL DRIVE FRONT AXLE PARTS

CASE/CARRARO APPLICATIONS

TABLE OF CONTENTS

PART NUMBER	DESCRIPTION	PAGE
140944A1.....	SHIM.....	4
140945A1.....	SHIM.....	4
140947A1.....	SHIM.....	4
140948A1.....	SHIM.....	4
140949A1.....	SHIM.....	4
140951A1.....	SHIM.....	4
140953A1.....	SHIM.....	4
140954A1.....	SHIM.....	4
144453A1.....	HOUSING.....	1, 2
144454A1.....	SUPPORT ASSY.....	1, 2
144455A1.....	SWIVEL HOUSING, LH.....	1, 2
144456A1.....	SWIVEL HOUSING, RH.....	1, 2
144457A1.....	ARM ASSY.....	7, 8
144460A1.....	GEAR, SET.....	4
144461A1.....	AXLE ASSEMBLY.....	3
144462A1.....	FORK.....	3
144463A1.....	SHAFT.....	3
144465A1.....	SPIDER, U-JOINT.....	3
144466A1.....	HUB ASSEMBLY.....	5, 6
1537664C1.....	SCREW.....	1, 2
1966136C1.....	BUSHING.....	1, 2
1966138C1.....	DOWEL.....	1, 2
1966149C1.....	BREATHER.....	1, 2
1966153C1.....	PLATE, LOCKING.....	9
1966169C1.....	BEARING, CONE.....	5, 6
1966186C1.....	BUSHING.....	1, 2
1966191C1.....	SEAL.....	1, 2
1966559C1.....	RING, LOCKING.....	9
1967003C1.....	WASHER, THRUST.....	9
231397A1.....	SET OF PARTS.....	9
238-5152.....	O-RING.....	4
238-6121.....	O-RING.....	5, 6
311569A1.....	SEAL, OIL.....	5, 6
390029A1.....	BODY.....	3

Toll Free USA & Canada: 800-321-9983 Fax: 330-342-3895 www.joseph.com

All manufacturers' names, numbers, symbols and descriptions are used for reference purpose only,
and it is not implied that any part listed is the product of the manufacturer.

Copyright 2008, Joseph Industries, Inc.



4-WHEEL DRIVE FRONT AXLE PARTS

CASE/CARRARO APPLICATIONS

TABLE OF CONTENTS

PART NUMBER	DESCRIPTION	PAGE
397653A1.....	SWIVEL HOUSING, LH.....	1, 2
397654A1.....	SWIVEL HOUSING, RH.....	1, 2
402357A1.....	HOUSING, AXLE.....	1, 2
402359A1.....	SEAL.....	1, 2
800-1134.....	SNAP RING.....	5, 6
827-10075.....	BOLT, HEX.....	9
905876R1.....	SCREW.....	5, 6
934727R1.....	NUT.....	7, 8
A156873.....	PLUG, DRAIN.....	1, 2
A48041.....	SNAP RING.....	5, 6
D149725.....	BUSHING.....	1, 2
D149726.....	BUSHING.....	1, 2
D149739.....	SEAL KIT.....	7, 8
K262143.....	SEAL.....	4
K395027.....	BEARING, TAPERED ROLLER.....	9
K395075.....	WASHER.....	9
K395086.....	PIN – DOWEL.....	9
K395087.....	SHAFT, PINION GEAR.....	9
K395090.....	BEARING.....	4
K395091.....	WASHER.....	5, 6
K395093.....	PIN, HEADED.....	5, 6
N13505.....	NIPPLE, LUBE.....	1, 2
N14367.....	SEAL.....	1, 2
N14407.....	GEAR.....	9
N14408.....	SUN GEAR.....	9
NSS (NOT SERVICED SEPARATELY)...	SPACER.....	4
NSS.....	WASHER.....	4
NSS.....	NUT, PINION GEAR.....	4
NSS.....	WASHER.....	4
NSS.....	GEAR, PINION.....	4
NSS.....	GEAR, RING.....	4
NSS.....	HOUSING, DIFFERENTIAL.....	9
NSS.....	HOUSING, DIFFERENTIAL.....	9
NSS.....	HUB, WHEEL ATTACHING.....	5, 6

Toll Free USA & Canada: 800-321-9983 Fax: 330-342-3895 www.joseph.com

All manufacturers' names, numbers, symbols and descriptions are used for reference purpose only,
and it is not implied that any part listed is the product of the manufacturer.

Copyright 2008, Joseph Industries, Inc.



4-WHEEL DRIVE FRONT AXLE PARTS

CASE/CARRARO APPLICATIONS

TABLE OF CONTENTS

PART NUMBER	DESCRIPTION	PAGE
NSS.....	SHAFT, PINION GEAR.....	5, 6
NSS.....	WIPER, ROD.....	7, 8
NSS.....	RING, BACKUP.....	7, 8
NSS.....	SEAL, ROD.....	7, 8
NSS.....	GLAND, CYLINDER.....	7, 8
NSS.....	O-RING.....	7, 8
NSS.....	SEAL, PISTON.....	7, 8
NSS.....	O-RING.....	7, 8
NSS.....	ROD, PISTON.....	7, 8
NSS.....	TUBE, CYLINDER.....	7, 8
NSS.....	NUT.....	7, 8

Toll Free USA & Canada: 800-321-9983 Fax: 330-342-3895 www.joseph.com

All manufacturers' names, numbers, symbols and descriptions are used for reference purpose only,
and it is not implied that any part listed is the product of the manufacturer.

Copyright 2008, Joseph Industries, Inc.

THIS PAGE HAS BEEN LEFT INTENTIONALLY BLANK

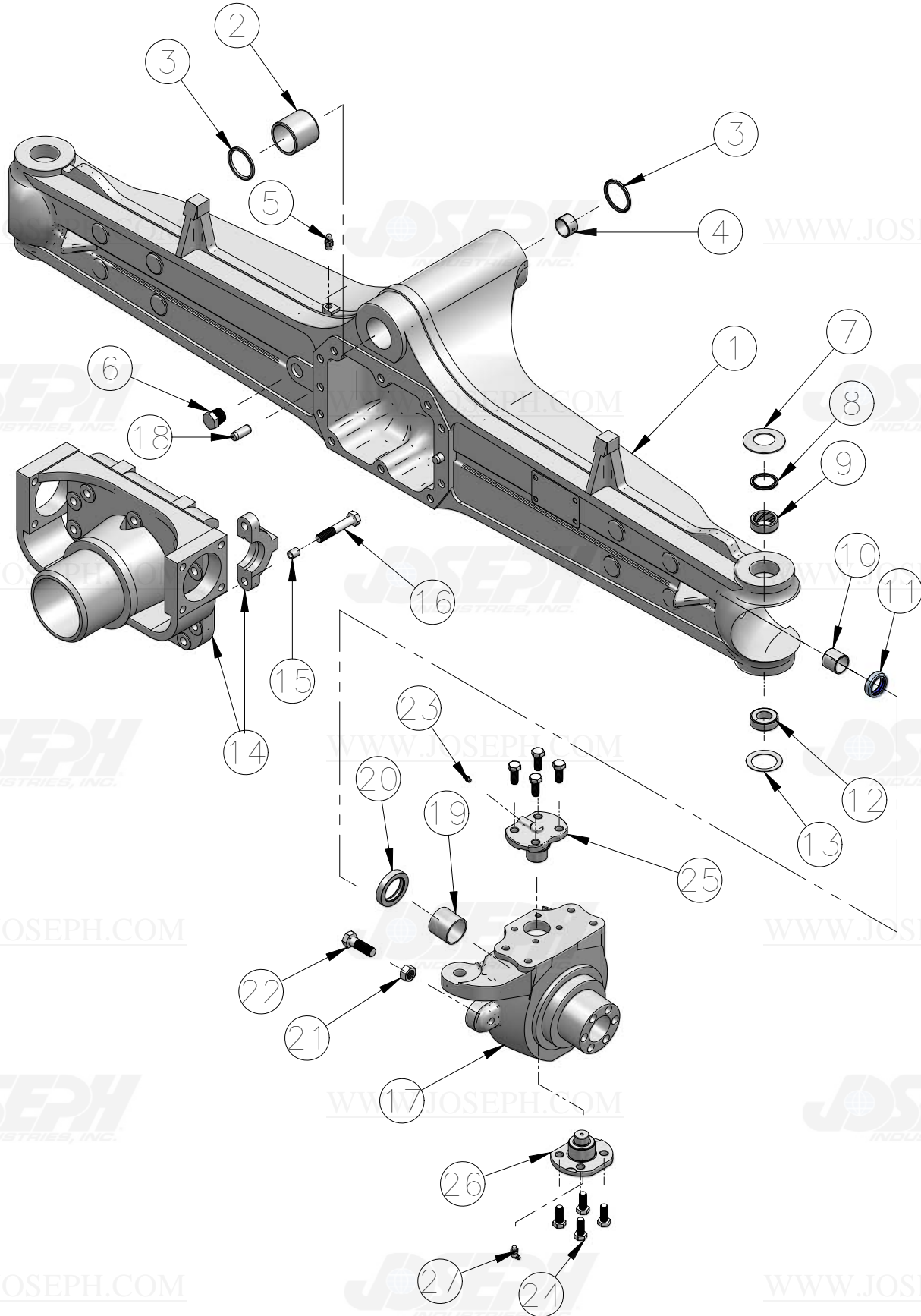
Toll Free USA & Canada: 800-321-9983 Fax: 330-342-3895 www.joseph.com

All manufacturers' names, numbers, symbols and descriptions are used for reference purpose only,
and it is not implied that any part listed is the product of the manufacturer.

Copyright 2008, Joseph Industries, Inc.

4-WHEEL DRIVE FRONT AXLE PARTS

FRONT DRIVE AXLE HOUSING



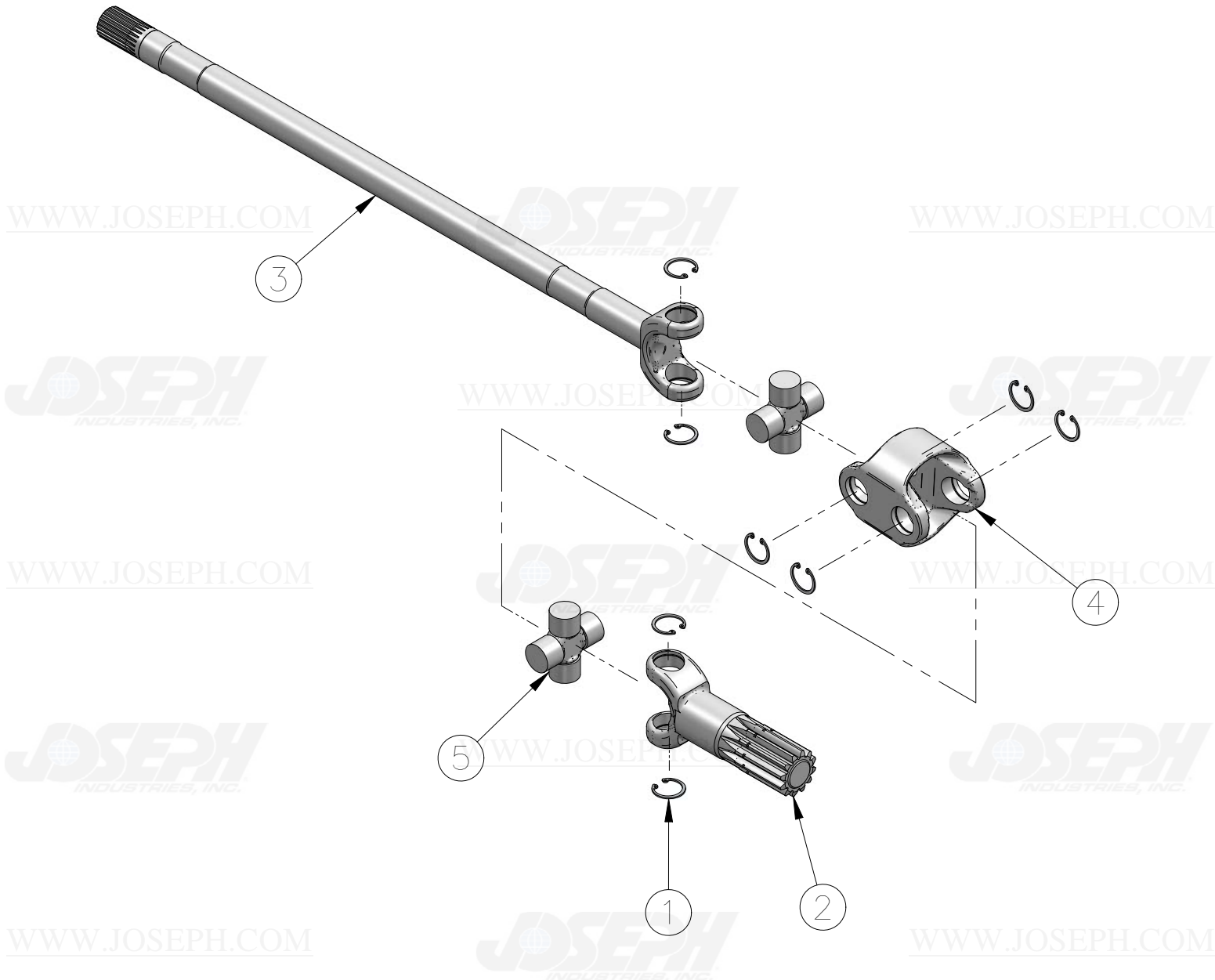
4-WHEEL DRIVE FRONT AXLE PARTS

FRONT DRIVE AXLE HOUSING

ITEM NUMBER	PART NUMBER	DESCRIPTION	QUANTITY	REMARKS
1	144453A1	HOUSING	1	
1	402357A1	HOUSING, AXLE	1	
2	D149725	BUSHING	1	
3	N14367	SEAL	2	
4	D149726	BUSHING	1	
5	1966149C1	BREATHER	1	
6	A156873	PLUG, DRAIN	2	
7	122270A1	WASHER	2	BELLEVILLE, UPPER
8	136990A1	SPACER	2	
9	100522A1	BUSHING	2	
10	1966186C1	BUSHING	2	
11	1966191C1	SEAL	2	
11	85824343	SEAL	2	
12	100520A1	BUSHING, SPHERICAL	2	
13	122268A1	WASHER	2	BELLEVILLE, LOWER
14	144454A1	SUPPORT ASSY	1	INCLUDES 14 - 16
15	1966136C1	BUSHING	4	
16	NSS	SCREW	4	NOT SERVICED SEPARATELY
17	144456A1	SWIVEL HOUSING, RH	1	USE WITH 100529A1 SEAL
17	397654A1	SWIVEL HOUSING, RH	1	USE WITH 402359A1 SEAL
	144455A1	SWIVEL HOUSING, LH	1	USE WITH 100529A1 SEAL
	397653A1	SWIVEL HOUSING, LH	1	USE WITH 402359A1 SEAL
18	1966138C1	DOWEL	2	
19	100532A1	BUSHING	2	FOR RH OR LH SWIVEL HOUSING
20	100529A1	SEAL, SHAFT	2	45 X 65 X 12
20	402359A1	SEAL	2	45 X 60 X 16
21	85805986	NUT	2	
22	1537664C1	SCREW	2	
23	321204	NIPPLE, LUBE	2	
24	100533A1	BOLT	16	
25	122265A1	KING PIN, LARGE	2	UPPER
26	122264A1	KING PIN, LARGE	2	LOWER
27	N13505	NIPPLE, LUBE	2	

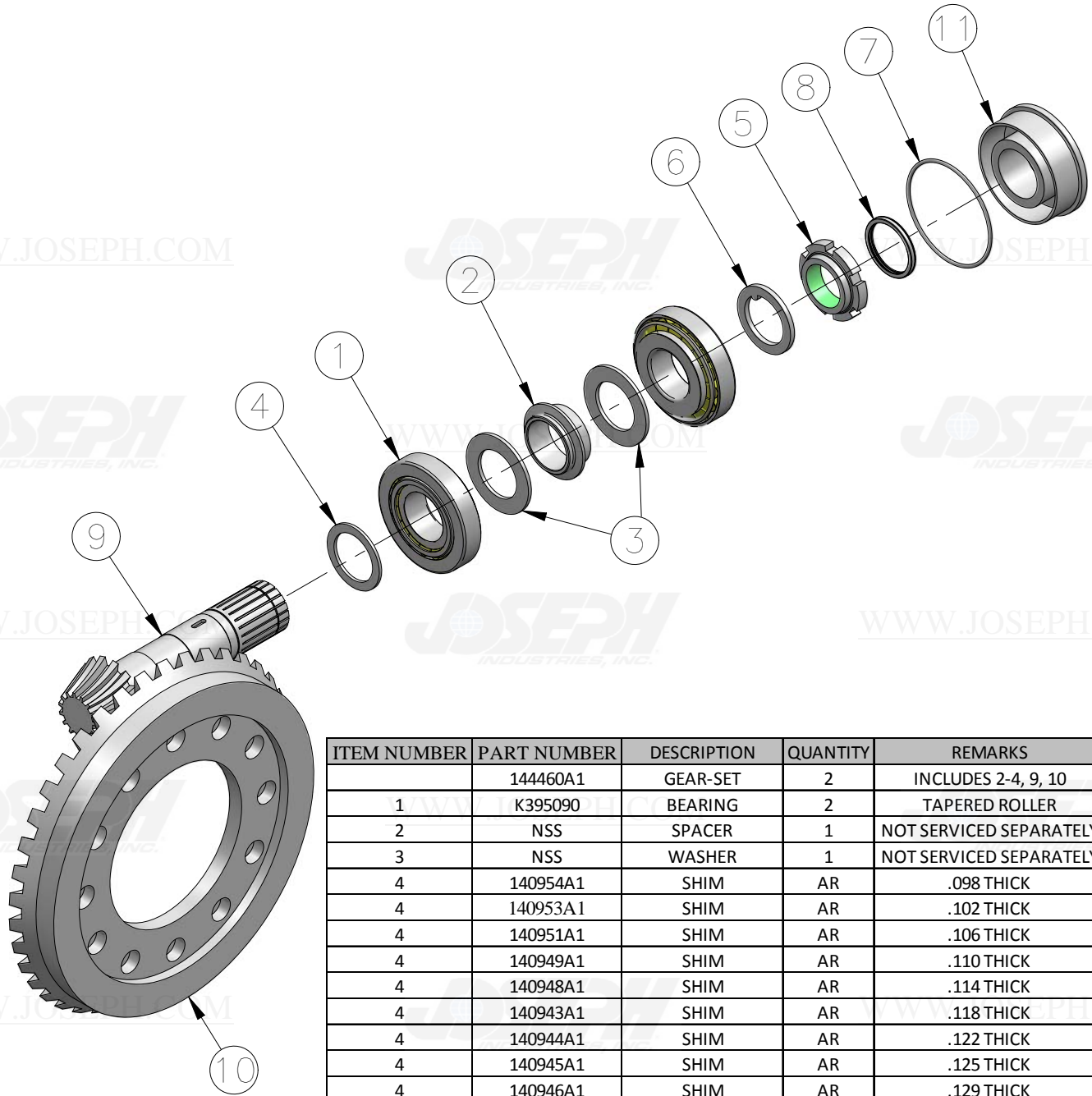
4-WHEEL DRIVE FRONT AXLE PARTS

AXLE SHAFTS



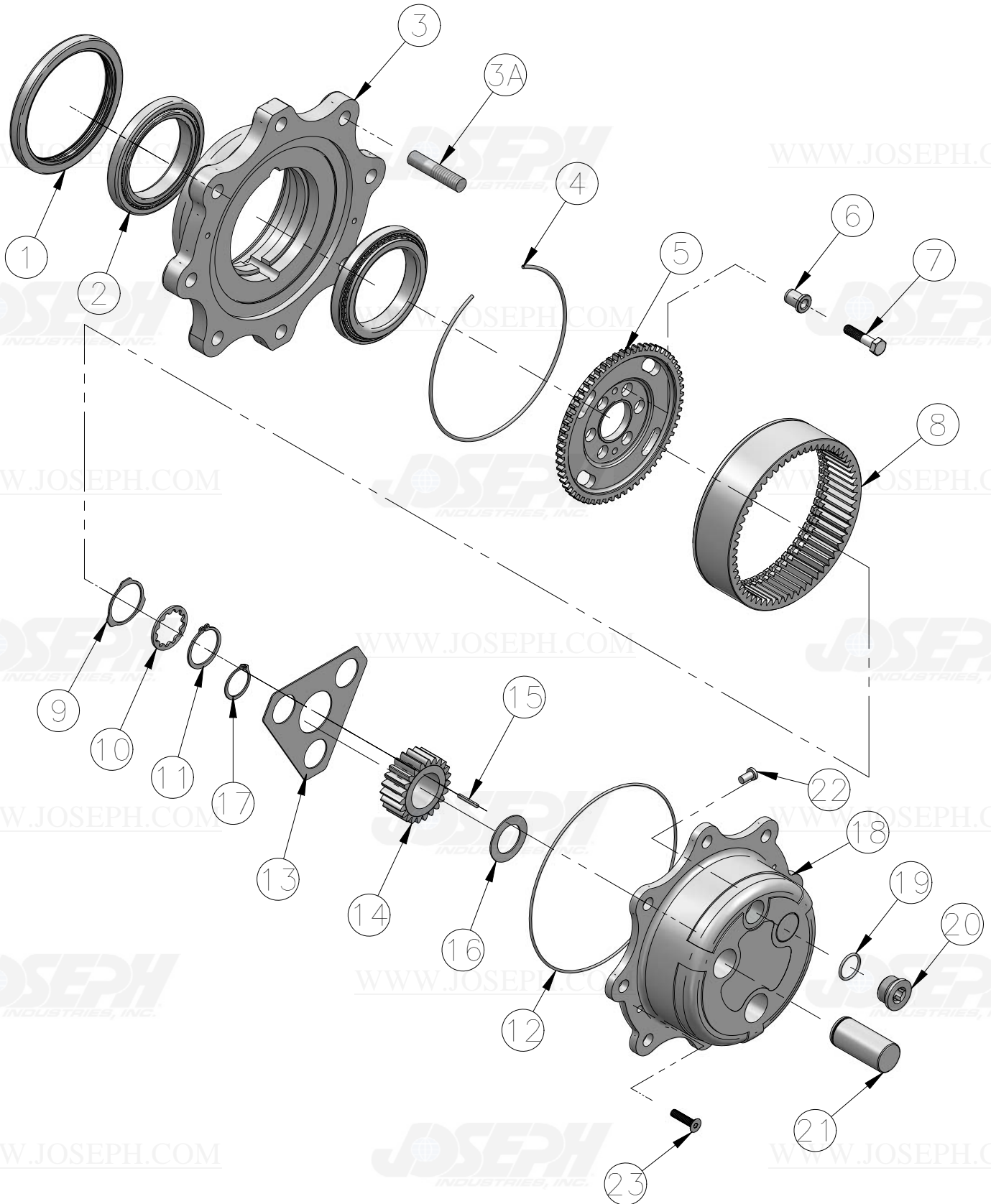
ITEM NUMBER	PART NUMBER	DESCRIPTION	QUANTITY	REMARKS
	144461A1	AXLE ASSEMBLY - REF. 1-5	2	
1	N14410	RING	16	
2	144463A1	SHAFT - SHORT	2	WHEEL SIDE
3	144462A1	SHAFT - LONG	2	DIFFERENTIAL SIDE
4	390029A1	BODY	2	
5	144465A1	SPIDER, U-JOINT	4	

4-WHEEL DRIVE FRONT AXLE PARTS RING AND PINION GEAR SET



ITEM NUMBER	PART NUMBER	DESCRIPTION	QUANTITY	REMARKS
	144460A1	GEAR-SET	2	INCLUDES 2-4, 9, 10
1	K395090	BEARING	2	TAPERED ROLLER
2	NSS	SPACER	1	NOT SERVICED SEPARATELY
3	NSS	WASHER	1	NOT SERVICED SEPARATELY
4	140954A1	SHIM	AR	.098 THICK
4	140953A1	SHIM	AR	.102 THICK
4	140951A1	SHIM	AR	.106 THICK
4	140949A1	SHIM	AR	.110 THICK
4	140948A1	SHIM	AR	.114 THICK
4	140943A1	SHIM	AR	.118 THICK
4	140944A1	SHIM	AR	.122 THICK
4	140945A1	SHIM	AR	.125 THICK
4	140946A1	SHIM	AR	.129 THICK
4	140947A1	SHIM	AR	.133 THICK
5	NSS	NUT, PINION GEAR	1	NOT SERVICED SEPARATELY
6	NSS	WASHER	1	NOT SERVICED SEPARATELY
7	238-5152	O-RING	1	
8	K262143	SEAL	1	
9	NSS	GEAR, PINION	1	NOT SERVICED SEPARATELY
10	NSS	GEAR, RING	1	NOT SERVICED SEPARATELY
11	128570A1	FLANGE	1	

4-WHEEL DRIVE FRONT AXLE PARTS PLANETARY



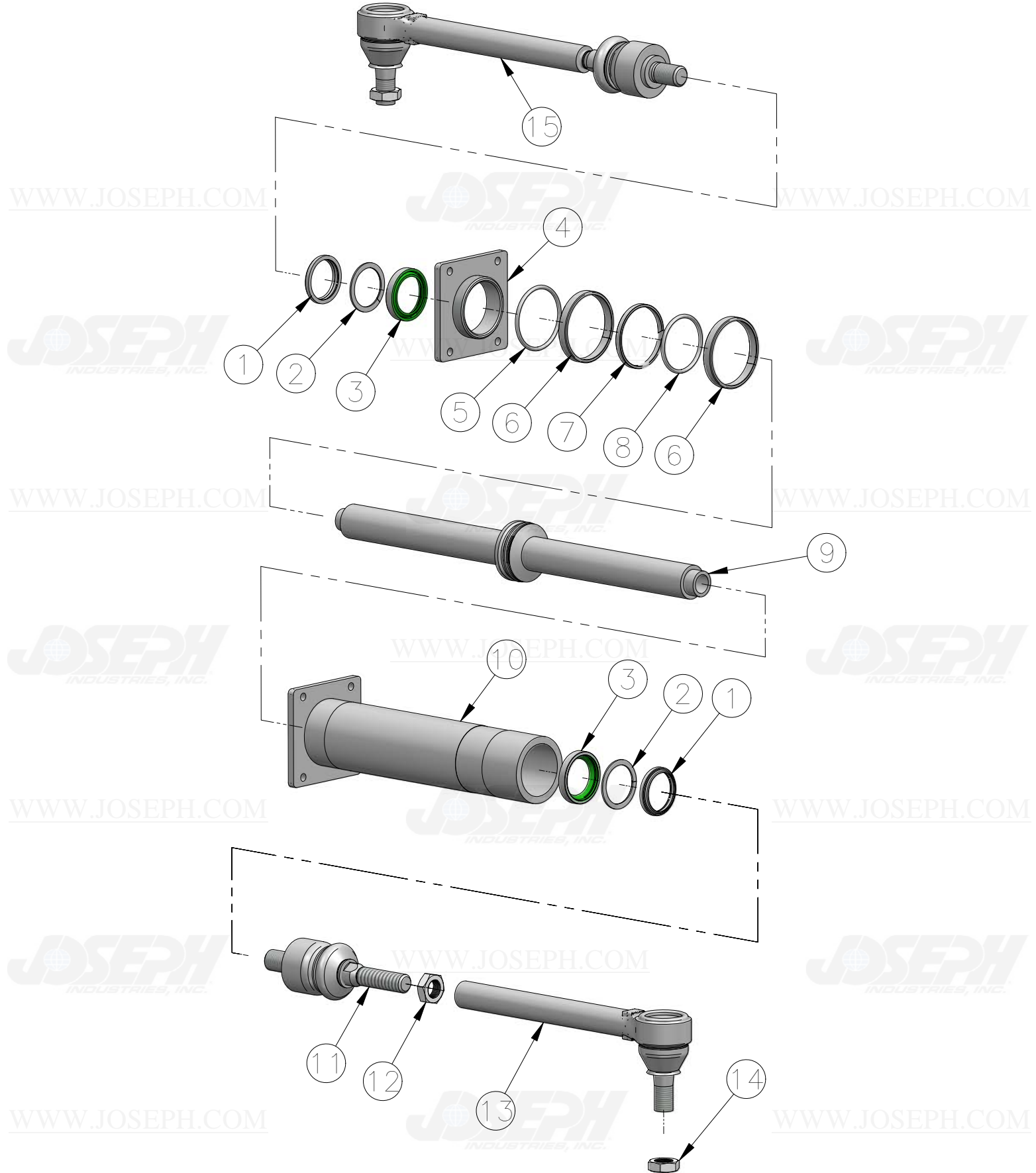
4-WHEEL DRIVE FRONT AXLE PARTS

PLANETARY

ITEM NUMBER	PART NUMBER	DESCRIPTION	QUANTITY	REMARKS
1	311569A1	SEAL, OIL	2	
2	1966169C1	BEARING, CONE	2	
3	NSS	HUB - WHEEL ATTACHING	1	NOT SERVICED SEPARATELY
3A	100556A1	STUD	8	
4	100559A1	RING, SPECIAL	2	
5	116427A1	GEAR	2	
6	116426A1	BUSHING	12	
7	116425A1	SCREW	12	
8	100561A1	GEAR	2	
9	100565A1	WASHER, THRUST	2	
10	100550A1	WASHER	2	
11	A48041	SNAP RING	2	
12	100552A1	O-RING	2	
13	100555A1	PLATE, LARGE	2	
14	100562A1	PLANETARY GEAR	6	
15	114295A1	KIT, NEEDLE BEARINGS	9	
16	K395091	WASHER	6	
17	800-1134	SNAP RING	6	
18	NSS	CARRIER - PLANETARY	1	NOT SERVICED SEPARATELY
19	238-6121	O-RING	1	
20	100557A1	DRAIN PLUG	2	
21	NSS	SHAFT - PINION GEAR	3	NOT SERVICED SEPARATELY
22	K395093	PIN, HEADED	2	
23	905876R1	SCREW	4	
	144466A1	HUB ASSEMBLY	2	INCLUDES 3 & 3A
	100554A1	PINION CARRIER	2	INCLUDES 13 - 21
	100553A1	HOUSING ASSY	2	INCLUDES 18 - 21

4-WHEEL DRIVE FRONT AXLE PARTS

STEERING CYLINDER

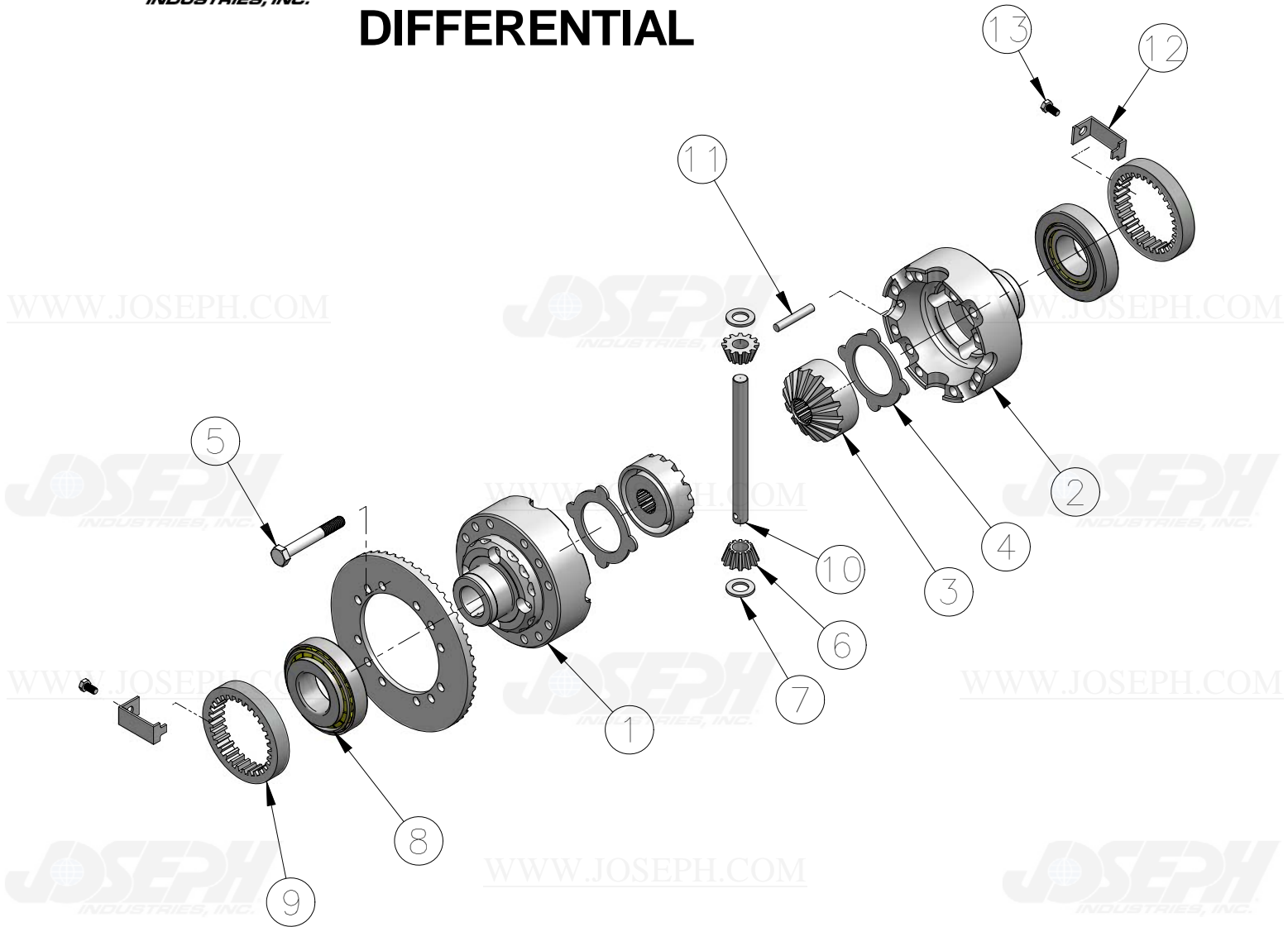


4-WHEEL DRIVE FRONT AXLE PARTS

STEERING CYLINDER

ITEM NUMBER	PART NUMBER	DESCRIPTION	QUANTITY	REMARKS
	D149739	SEAL KIT	1	INCLUDES 1 - 3, 5 - 8
1	NSS	WIPER - ROD	2	NOT SERVICED SEPARATELY
2	NSS	RING - BACKUP	2	NOT SERVICED SEPARATELY
3	NSS	SEAL - ROD	2	NOT SERVICED SEPARATELY
4	NSS	GLAND - CYLINDER	1	NOT SERVICED SEPARATELY
5	NSS	O-RING	1	NOT SERVICED SEPARATELY
6	NSS	RING - WEAR	2	NOT SERVICED SEPARATELY
7	NSS	SEAL - PISTON	1	NOT SERVICED SEPARATELY
8	NSS	O-RING	1	NOT SERVICED SEPARATELY
9	NSS	ROD - PISTON	1	NOT SERVICED SEPARATELY
10	NSS	TUBE - CYLINDER	1	NOT SERVICED SEPARATELY
11	112509A1	BALL JOINT	2	
12	934727R1	NUT	2	
13	350669	TIE ROD	2	
14	NSS	NUT	2	NOT SERVICED SEPARATELY
15	144457A1	ARM ASSY	2	INCLUDES 11 - 13

4-WHEEL DRIVE FRONT AXLE PARTS DIFFERENTIAL



ITEM NUMBER	PART NUMBER	DESCRIPTION	QUANTITY	REMARKS
	109686A1	HOUSING ASSEMBLY	1	INCLUDES 1, 2
1	NSS	HOUSING - DIFFERENTIAL	1	NOT SERVICED SEPARATELY
2	NSS	HOUSING - DIFFERENTIAL	1	NOT SERVICED SEPARATELY
3	N14407	GEAR	2	
4	1967003C1	WASHER, THRUST	2	
5	827-10075	BOLT - HEX	12	
6	N14408	SUN GEAR	2	
7	K395075	WASHER	2	
8	K395027	BEARING - TAPERED ROLLER	2	
9	1966559C1	RING - LOCKING	2	THREADED
10	K395087	SHAFT - PINION GEAR	1	
11	K395086	PIN - DOWEL	1	
12	1966153C1	PLATE - LOCKING	2	
13	112486A1	BOLT - HEX	2	
	231397A1	SET OF PARTS	1	INCLUDES 3, 6, 7, 10 AND 11